



SMD kHz Crystals 3.2x1.5x0.75mm 3215 Series



Features

- 2 pads surface mount package.
- Application for variety of automotive products reference clocks.
- High reliable environmental performance.

Electrical Specifications

Item / Type

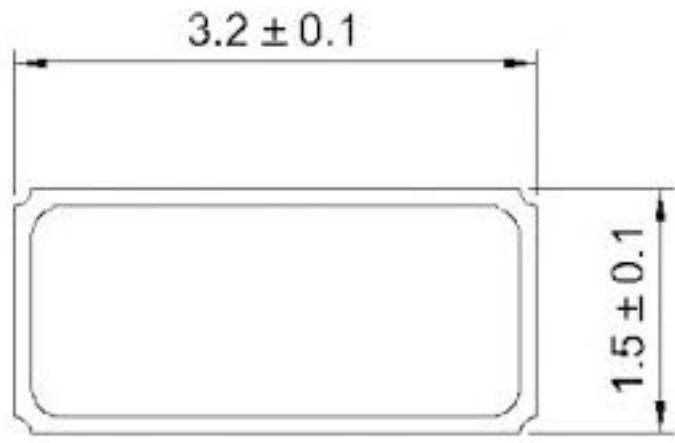
Norminal Frequency	32.768 kHz
Frequency Tolerance(at 25 °c)	± 20 ppm
Operation Temperature Range	- 40 ~ + 85 °c
Shunt Capacitance (C0)	1.0pF typical
Motional Capacitance (C1)	3.4fF typical
Insulation Resistance (IR)	500 MΩ Min.
Drive Level (DL)	1.0 μW Max.
Load Capacitance(CL)	6PF ,7Pf ,9Pf, 12.5 pF ,
Turnover Temperature (Ti)	25 °c ± 5 °c
Parabolic Coefficient (B)	$(- 0.03 \pm 0.01) * 10^{-6} / ^\circ c^2$
Aging (at 25 °c)	± 3 ppm at First year
Storage Temperature Range	-55 ~ +125 °c

Equivalent Series Resistance(ESR)

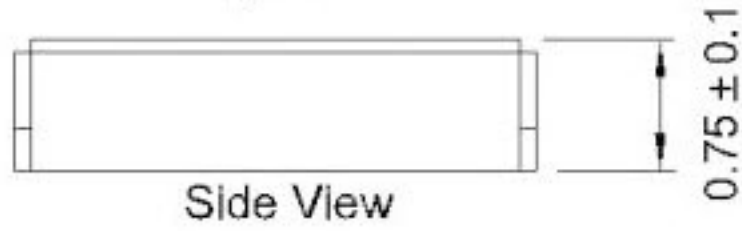
3215

70 KΩ Max

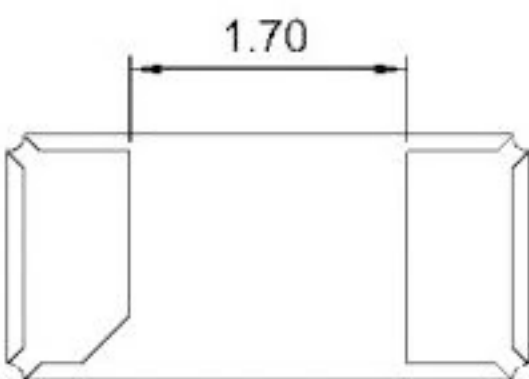
Dimensions



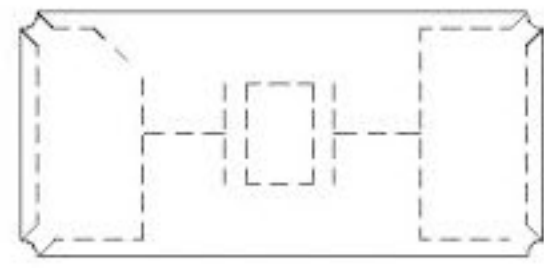
Top View



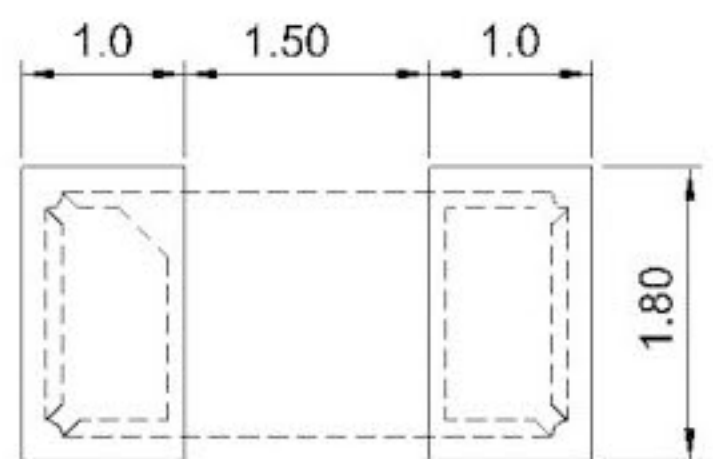
Side View



Bottom View



Top View Crystal Connection



Top View Suggested Layout