



SMD KHZ Crystals 8.0x3.8x2.54mm 306 Series



Features

- .High-density mounting-type SMD
- .Photolithography finished allows uniform and performance
- .Excellent reliability and environmental capability.

Electrical Specifications

Item / Type

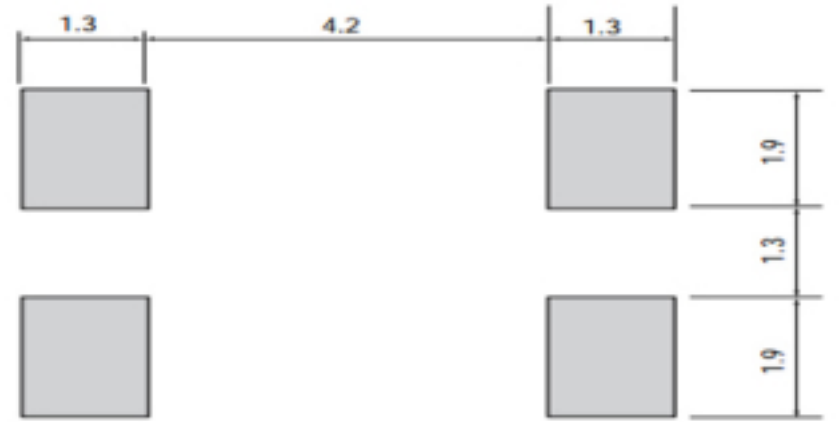
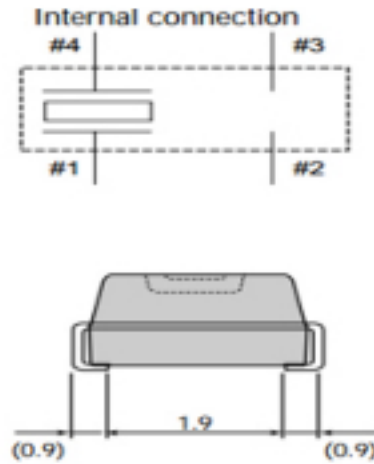
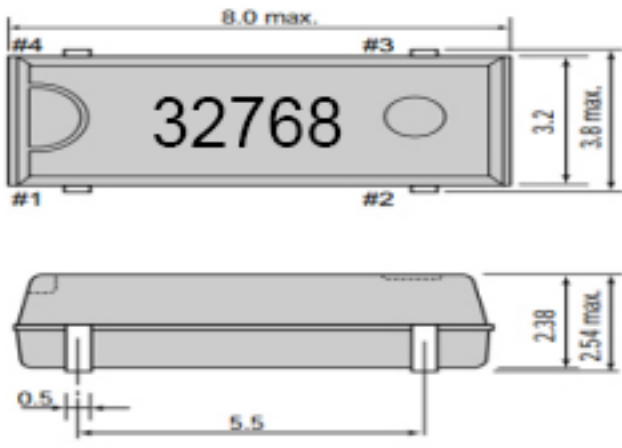
Norminal Frequency	32.768 kHz
Frequency Tolerance(at 25 °c)	± 20 ppm
Operation Temperature Range	- 40 ~ + 85 °c
Shunt Capacitance (C0)	1.0pF typical
Motional Capacitance (C1)	3.4fF typical
Insulation Resistance (IR)	500 MΩ Min.
Drive Level (DL)	1.0 μW Max.
Load Capacitance(CL)	6PF ,7Pf ,9Pf, 12.5 pF ,
Turnover Temperature (Ti)	25 °c ± 5 °c
Parabolic Coefficient (B)	$(- 0.03 \pm 0.01) * 10^{-6} / ^\circ\text{C}^2$
Aging (at 25 °c)	± 3 ppm at First year
Storage Temperature Range	-55 ~ +125 °c

Equivalent Series Resistance(ESR)

306

65 KΩ Max

Dimensions



Do not connect #2 and #3 to external device.

Bottom View

Top View Suggested Layout

Units: mm